



More Precision

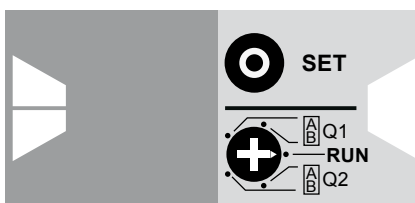
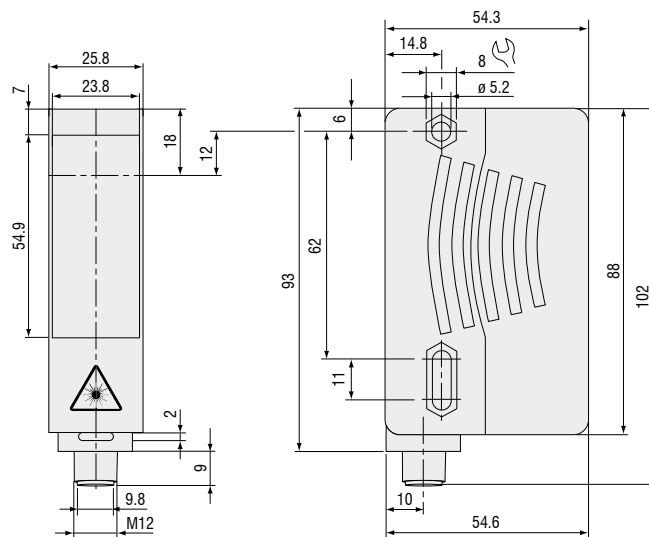
optoNCDT ILR // Laser distance sensors





- Measuring range up to 15m on diffuse reflecting targets / 50m on reflector
- Very short response time
- Small size
- Excellent price-performance ratio

The laser distance sensors ILR1030/1031 operate according to the time-of-flight technology. Thanks to this technology the sensors permanently offer – independent of environmental conditions such as surface characteristics, dark colour or present external light – accurate, reliable and clear as well as reproducible measurement results.



ILR103x: Analog output and limit output programming via touch keys

Model		ILR1030-8	ILR 1030-8/LC1	ILR 1030-15	ILR1031-50	ILR1031-50/LC1
Measuring range ¹⁾	black 10%	0.2 ... 2.5m	0.2 ... 2.5m	0.2 ... 5m	-	-
	grey 18%	0.2 ... 3.5m	0.2 ... 3.5m	0.2 ... 6m	-	-
	white 90%	0.2 ... 8m	0.2 ... 8m	0.2 ... 15m	-	-
	reflector	-	-	-	0.2 ... 50m (ILR-RF250/ILR-RF70)	
Linearity ²⁾				±20mm		
Resolution				1mm		
Repeat accuracy				<5mm		
Response time				10ms		
Laser class	meas. laser red 660nm	class 2	class 1	class 2	class 2	class 1
Permissible ambient light				50,000lx		
Operation temperature ³⁾				-30° ... +50°C (humidity 5 - 95%, no condensation)		
Storage temperature				-30° ... +70°C		
Limit outputs				Q1/Q2 push-pull outputs		
Switching voltage				max. 30VDC		
Switching current				max. 100mA		
Analog output				4 ... 20mA, short-circuit/overload protected		
Temperature stability				≤0.25mm/°C		
Supply				10 - 30VDC, class 2		
Connection				connector M12x1, 4-pin		
Protection class				IP 65		
Material	housing				Plastic ABS	
	window				Plastic pane	
Weight				90g		
Accessoires				page 14 - 15		

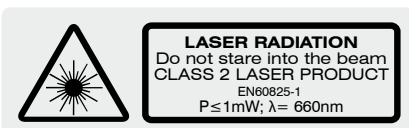
¹⁾ depending on target reflectivity, stray light effects and atmospheric conditions

²⁾ with statistical spread of 95%

³⁾ when crossing 0°C an additional heating may be required

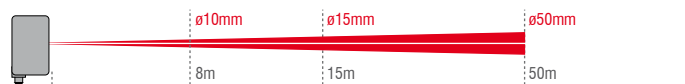


optoNCDT ILR 103x-LC1 use a semiconductor class 1 laser. With this laser class no protection is needed.



optoNCDT ILR 1030/1031 operate with a wavelength of 660nm (visible, red). The maximum optical output is ≤ 1 mW. The sensors are classified in Laser Class 2. Class 2 lasers are not notifiable and a laser protection officer is not required either.

Spot diameter ILR 1030 / 1031



High performance sensors made by Micro-Epsilon



Sensors and systems for displacement and position



Sensors and measurement devices for non-contact temperature measurement



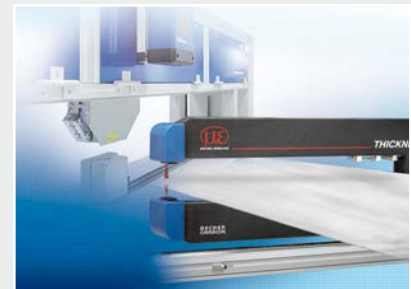
2D/3D profile sensors (laser scanner)



Optical micrometers, fibre optic sensors and fibre optics



Color recognition sensors, LED analyzers and color online spectrometer



Measurement and inspection systems

INFORMASI LEBIH LANJUT HUBUNGI KAMI



Your Partner Of Testing & Measuring Innovation Technology



Member Of PT Testindo

Our Office : Jl. Radin Inten II No. 61B Duren Sawit - Jakarta 13440
Phone : +62-21 2956 3045, 2956 3046, 2956 3047
Fax : +62-21 2956 3052
E-mail : sales@testindo.com
Website : <http://www.testingindonesia.com>